

AUTOMOTIVE INDUSTRY STANDARD

**Requirements of Attendant's Seats of
Agricultural Tractors**

PRINTED BY
THE AUTOMOTIVE RESEARCH ASSOCIATION OF INDIA
P.B. NO. 832, PUNE 411 004
ON BEHALF OF
AUTOMOTIVE INDUSTRY STANDARDS COMMITTEE
UNDER
CENTRAL MOTOR VEHICLE RULES – TECHNICAL STANDING COMMITTEE
SET-UP BY
MINISTRY OF SHIPPING, ROAD TRANSPORT & HIGHWAYS
(DEPARTMENT OF ROAD TRANSPORT & HIGHWAYS)
GOVERNMENT OF INDIA

February 2009

**Status chart of the Standard to be used by the purchaser
for updating the record**

Sr. No.	Corrigenda.	Amendment	Revision	Date	Remark	Misc.

General Remarks :

INTRODUCTION

The Government of India felt the need for a permanent agency to expedite the publication of standards and development of test facilities in parallel when the work on the preparation of the standards is going on, as the development of improved safety critical parts can be undertaken only after the publication of the standard and commissioning of test facilities. To this end, the erstwhile Ministry of Surface Transport (MOST) has constituted a permanent Automotive Industry Standard Committee (AISC) vide order No. RT-11028/11/97-MVL dated September 15, 1997. The standards prepared by AISC will be approved by the permanent CMVR Technical Standing Committee (CTSC). After approval, the Automotive Research Association of India, (ARAI), Pune, being the secretariat of the AIS Committee, will publish this standard. For better dissemination of this information ARAI may publish this document on their web site.

Attendant's seat is an important safety item in case Agricultural Tractors are equipped with it. EEC Directive 76/763/EEC describes technical and safety requirements related to passengers seat for Agricultural Tractor.

With increasing usages of advance agricultural attachments, need of attendant's presence has become essential. Considering above requirement and non existence of Indian Standard (IS) on this subject, considerable assistance has been derived from following EEC Directive 76/763/EEC in formulation of this standard.

The type of tractor as mentioned in clause 2 of EEC Directive 76/763/EEC is not included in this standard, as tractor categorization is not yet considered in Indian context.

EEC Directive 76/763/EEC as amended by Directive 97/54/EC, 1999/86/EC	On the approximation of the laws of the Member States relating to passenger seats for wheeled agricultural or forestry tractors
---	---

The Automotive Industry Standards Committee responsible for preparation of this standard is given in Annex : 1

Requirements of Attendant's Seats of Agricultural Tractors

1. SCOPE

This standard specifies provisions for the design and installation of attendant's seats on Agricultural Tractors but not to standardize the requirements as to whether or not Agricultural Tractors are to be fitted compulsorily with such seats.

2. GENERAL REQUIREMENTS FOR CONSTRUCTION AND FITTING

- 2.1. Each seat shall be so placed that the attendant is in no danger and creates no impediment to driving the tractor.
- 2.2. Each seat shall be firmly fixed and properly attached to a structural member of the tractor (chassis, roll-over protection device, platform, fender etc.).
- 2.3. The structural member concerned shall be sufficiently strong to support a laden attendant's seat.

3. SPECIAL CONSTRUCTION REQUIREMENTS

- 3.1. Each seat shall be at least 400 mm wide and at least 300 mm deep.
- 3.2. Each seat shall incorporate a lateral support for position-maintenance purposes and be fitted with a back rest that is at least 200 mm deep.

Note: dimensions of back rest shall not apply if the seat backrest forms part of the cab, hand rail of fender or roll-over protection structure. The seat cushion shall be either padded or elastic.

- 3.3. A suitable support for the attendant's feet shall be available, as shall suitable grab handles, in order to ease access to the attendant seat and to help the attendant's to remain in position on that seat.
- 3.4. In case of tractor fitted with cab, there shall be a clearance of at least 920 mm above the surface of the attendant's seat. However, where a tractor satisfies the requirements relating to the driver's protection and seating, but its construction does not allow for such a clearance for the attendant, the clearance may be reduced to 800 mm, provided that adequate padding is provided immediately above the attendant's seat at the level of the roof. The upper part of the clearance allowed for the attendant may be limited at the rear and sides, only by a radius not exceeding 300mm (Refer Figure 1).

Note: The vertical clearance is the vertical open space between the front edge of the seat and the roof of the tractor.

- 3.5. The attendant's seat shall not add to the overall width of the tractor.

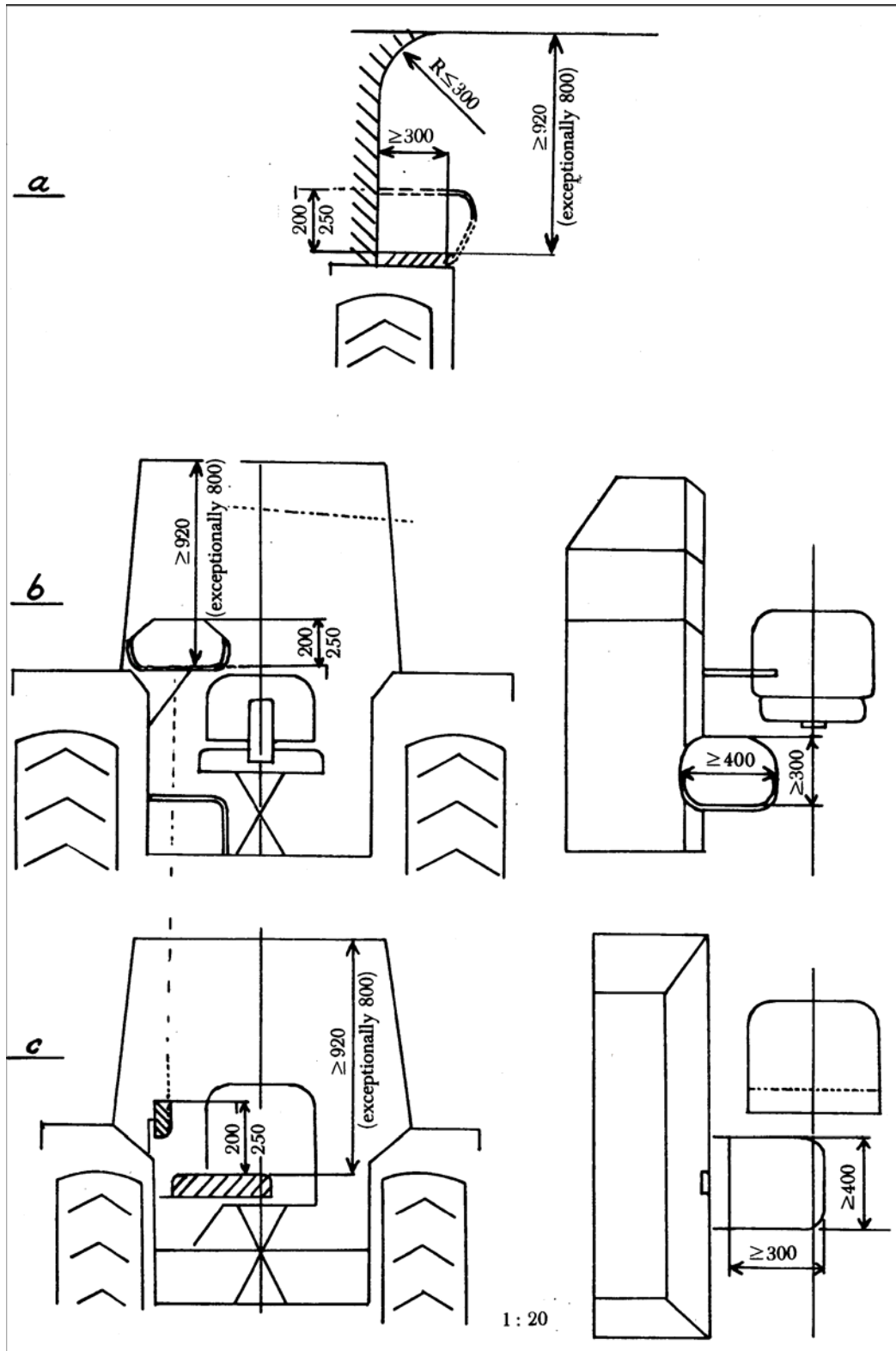


Figure 1

ANNEX 1
(See Introduction)

COMMITTEE COMPOSITION *
Automotive Industry Standards Committee

Chairman	
Shri Shrikant R. Marathe	Director The Automotive Research Association of India, Pune
Members	Representing
Representative from	Ministry of Shipping, Road Transport & Highways (Dept. of Road Transport & Highways), New Delhi
Representative from	Ministry of Heavy Industries & Public Enterprises (Department of Heavy Industry), New Delhi
Shri Chandan Saha	Office of the Development Commissioner, Small Scale Industries, Ministry of Small Scale Industries, New Delhi
Shri Rakesh Kumar	Bureau of Indian Standards, New Delhi
Director Shri D. P. Saste (Alternate)	Central Institute of Road Transport, Pune
Dr. M. O. Garg	Indian Institute of Petroleum, Dehra Dun
Dr. C. L. Dhamejani	Vehicles Research & Development Establishment, Ahmednagar
Representatives from	Society of Indian Automobile Manufacturers
Shri T.C. Gopalan	Tractor Manufacturers Association, New Delhi
Shri K.N.D. Nambudiripad	Automotive Components Manufacturers Association of India, New Delhi
Shri Arvind Gupta	Automotive Components Manufacturers Association of India, New Delhi

Member Secretary
Mrs. Rashmi Urdhwareshe
Deputy Director
The Automotive Research Association of India, Pune

* At the time of approval of this Automotive Industry Standard (AIS)